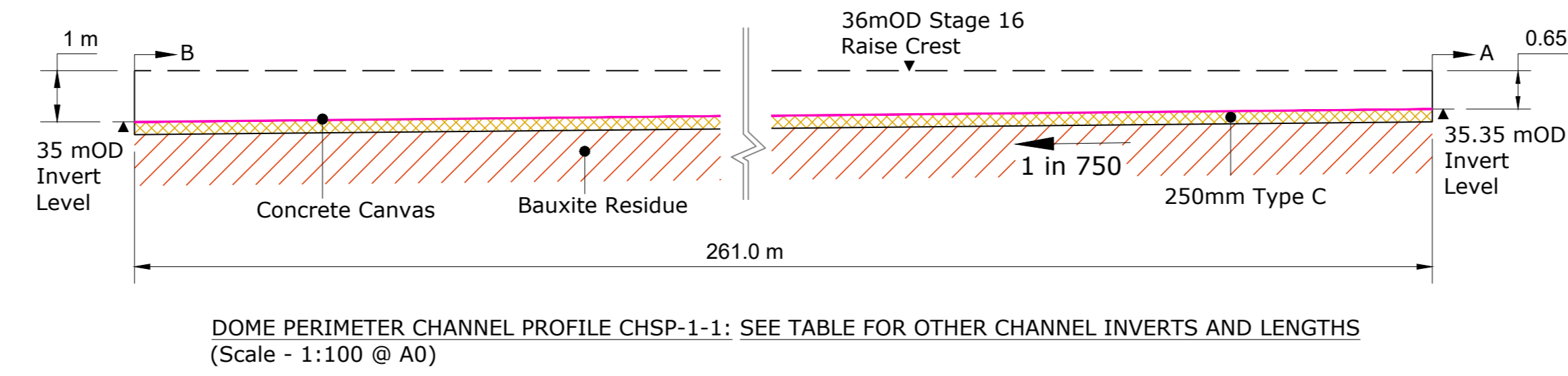
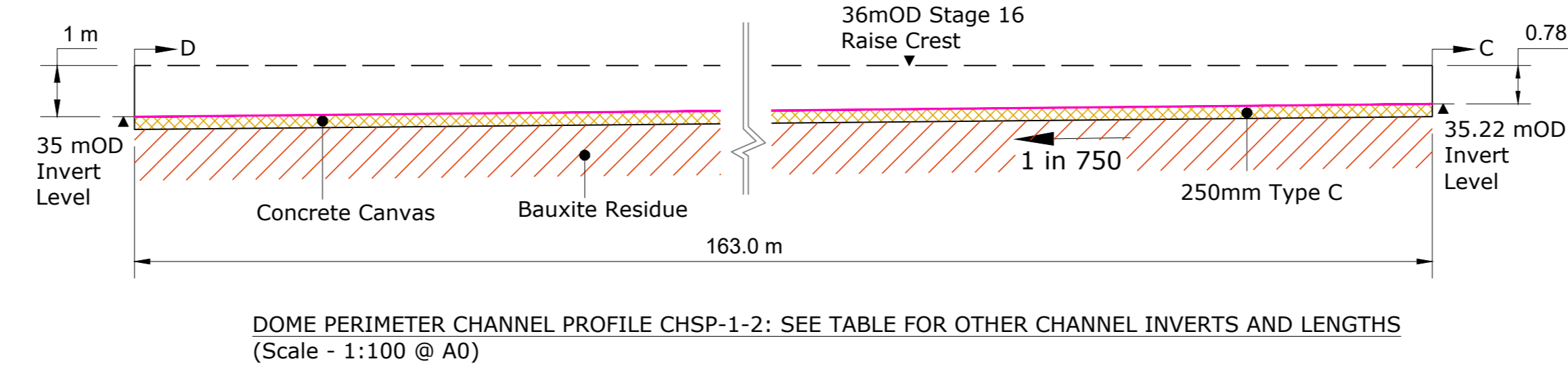


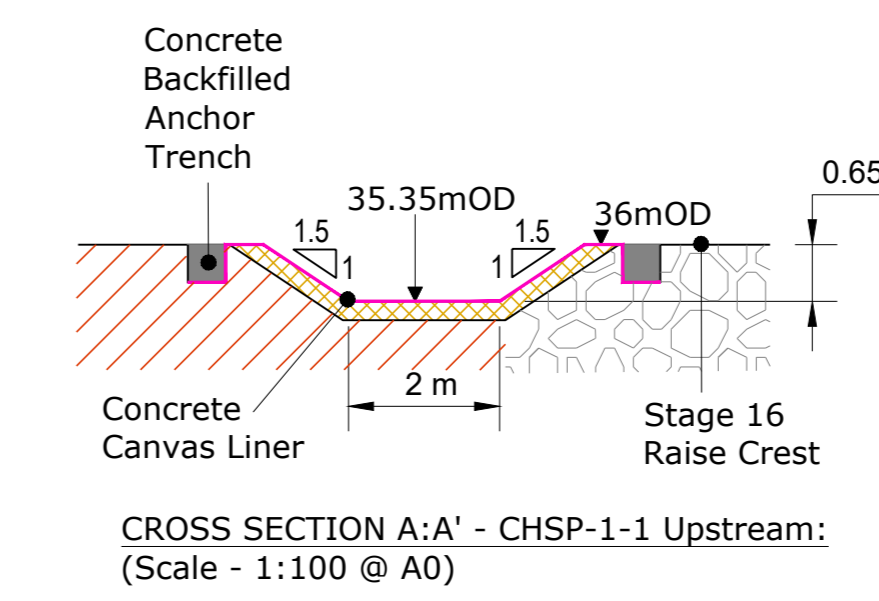
PLAN: CONFLUENCE OF BRDA DOME PERIMETER CHANNELS & RIPRAP SPILLWAY SP-1
(Scale - 1:100 @ A0)



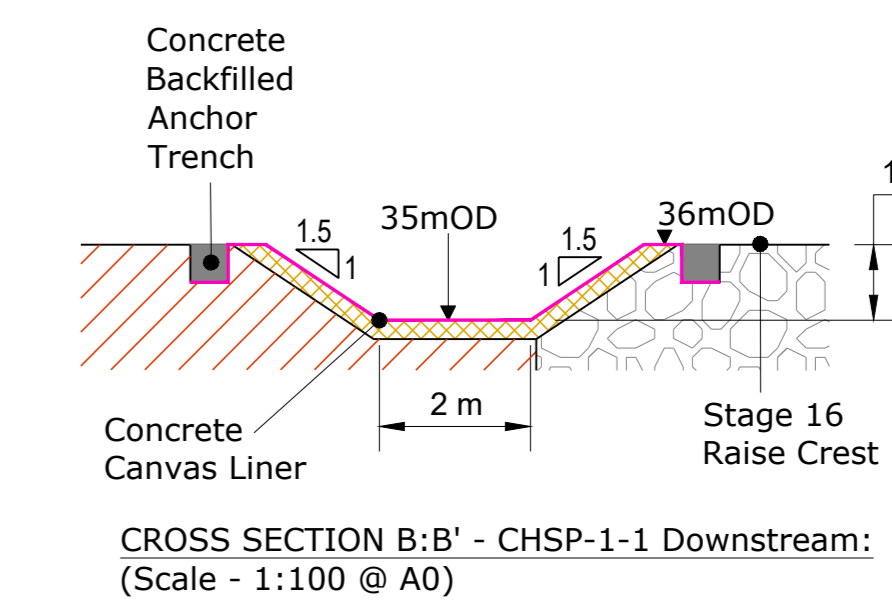
DOM PERIMETER CHANNEL PROFILE CHSP-1-1: SEE TABLE FOR OTHER CHANNEL INVERTS AND LENGTHS
(Scale - 1:100 @ A0)



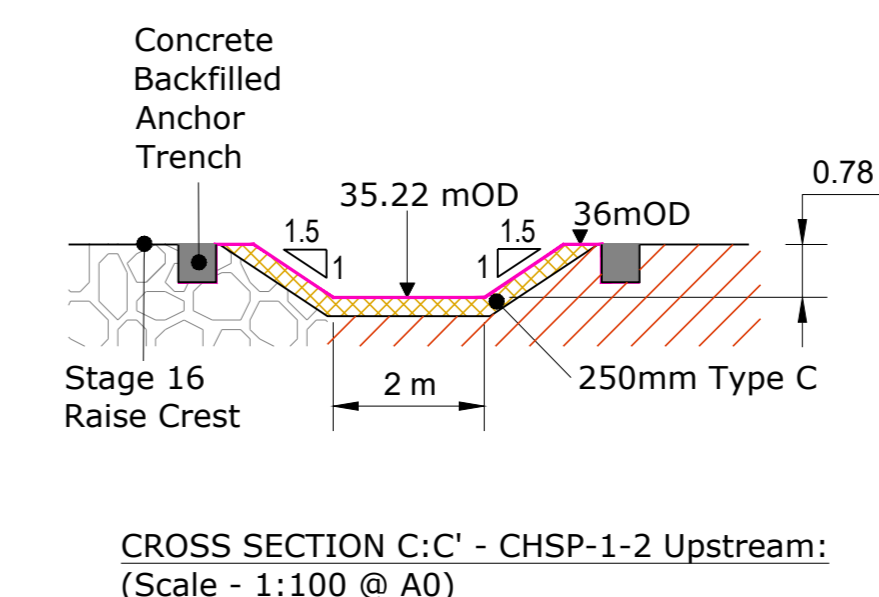
DOM PERIMETER CHANNEL PROFILE CHSP-1-2: SEE TABLE FOR OTHER CHANNEL INVERTS AND LENGTHS
(Scale - 1:100 @ A0)



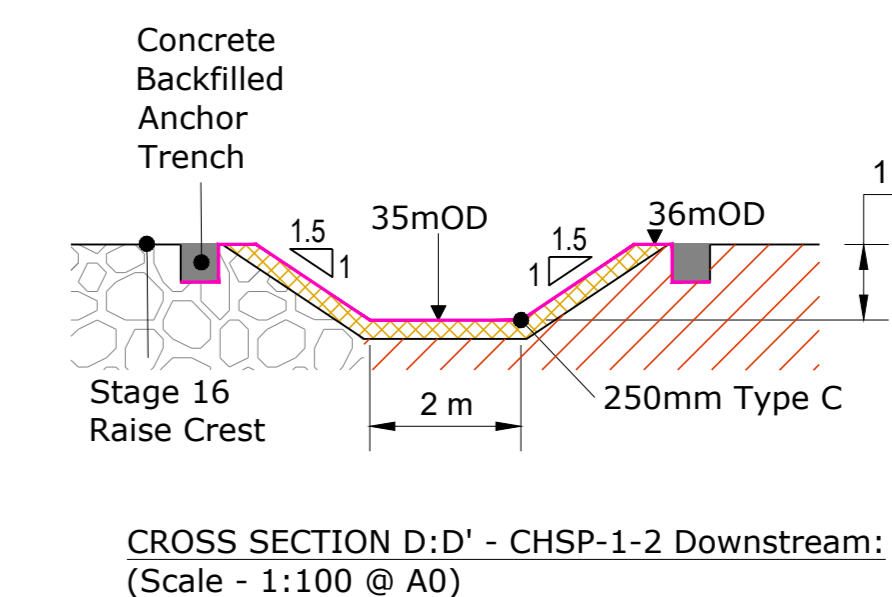
CROSS SECTION A:A' - CHSP-1-1 Upstream:
(Scale - 1:100 @ A0)



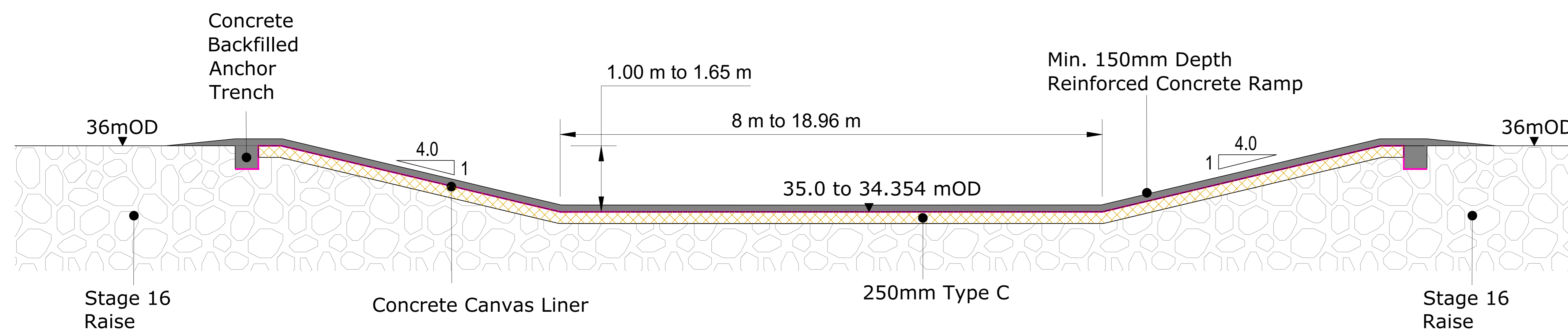
CROSS SECTION B:B' - CHSP-1-1 Downstream:
(Scale - 1:100 @ A0)



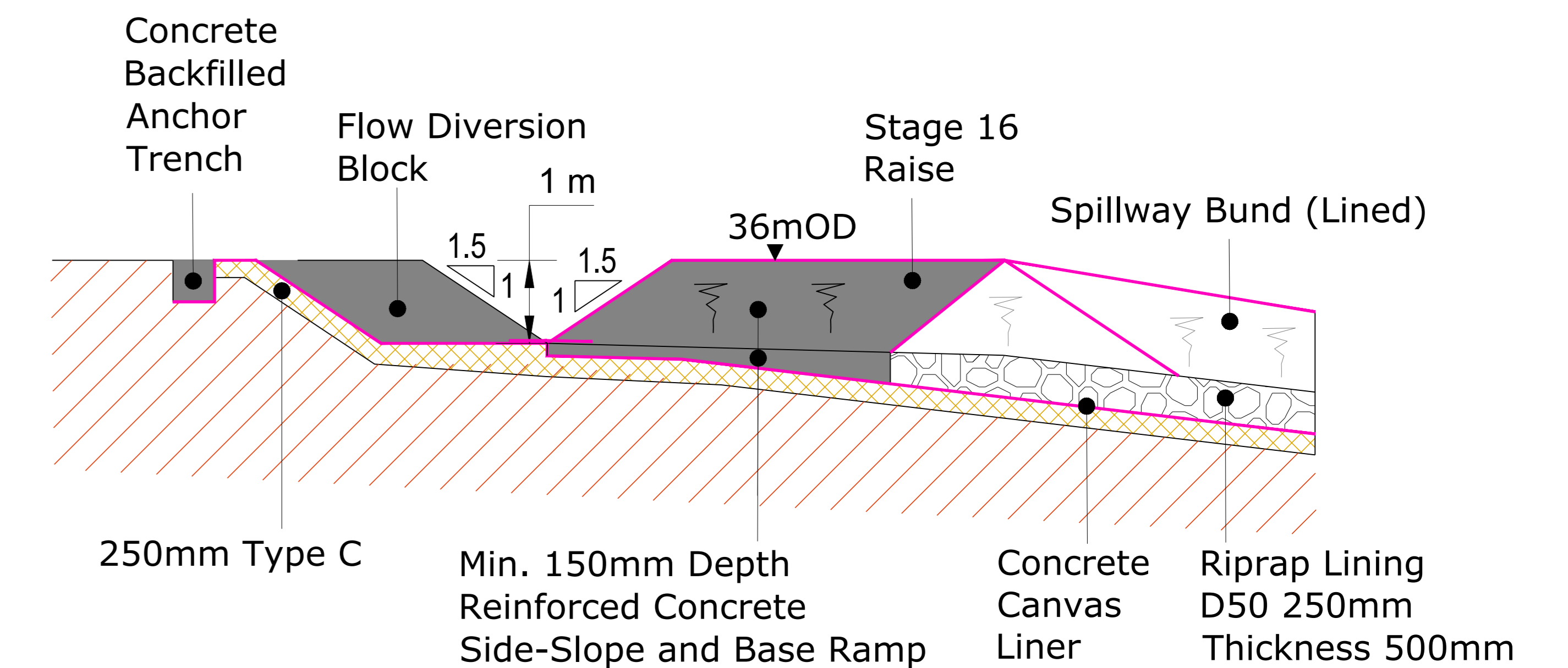
CROSS SECTION C:C' - CHSP-1-2 Upstream:
(Scale - 1:100 @ A0)



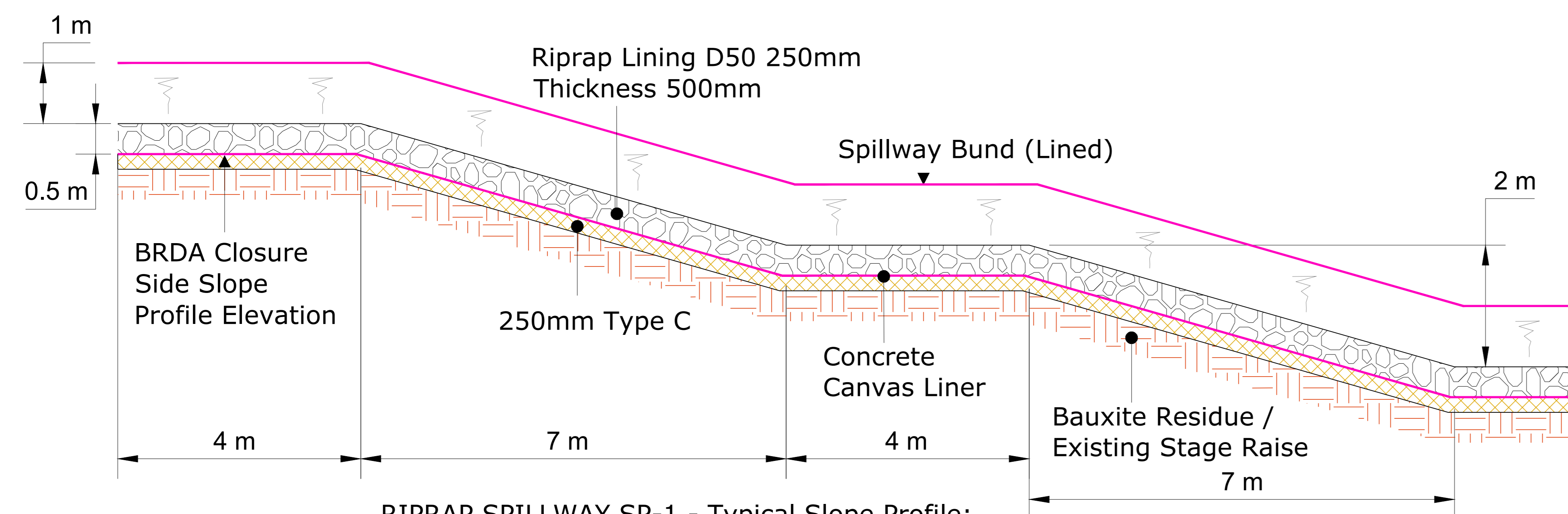
CROSS SECTION D:D' - CHSP-1-2 Downstream:
(Scale - 1:100 @ A0)



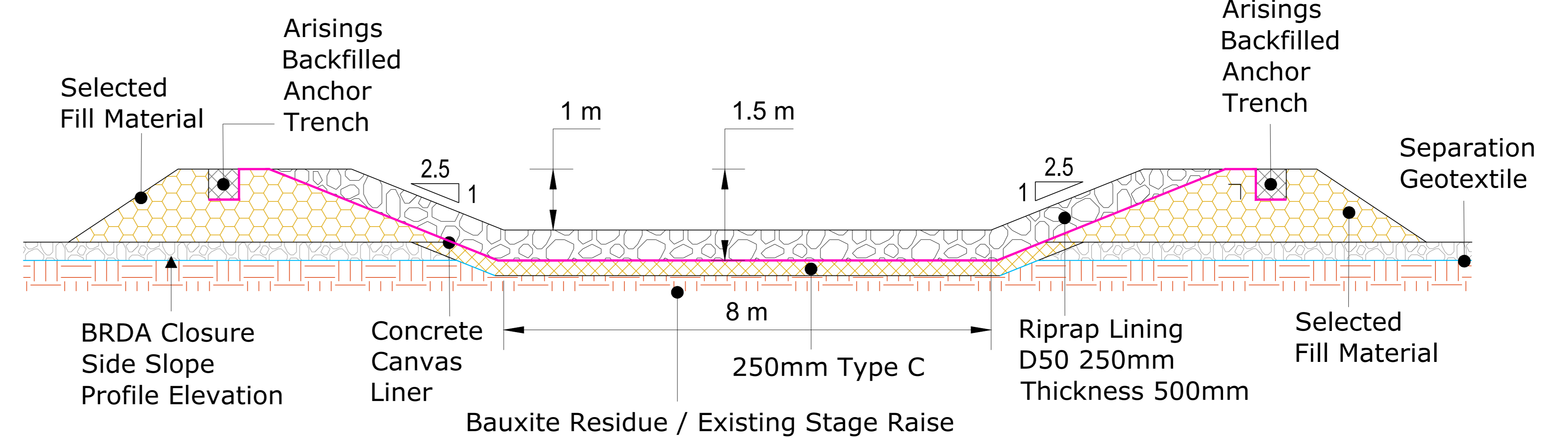
CROSS SECTION E:E' - Spillway Crest SP-1:
(Scale - 1:50 @ A0)



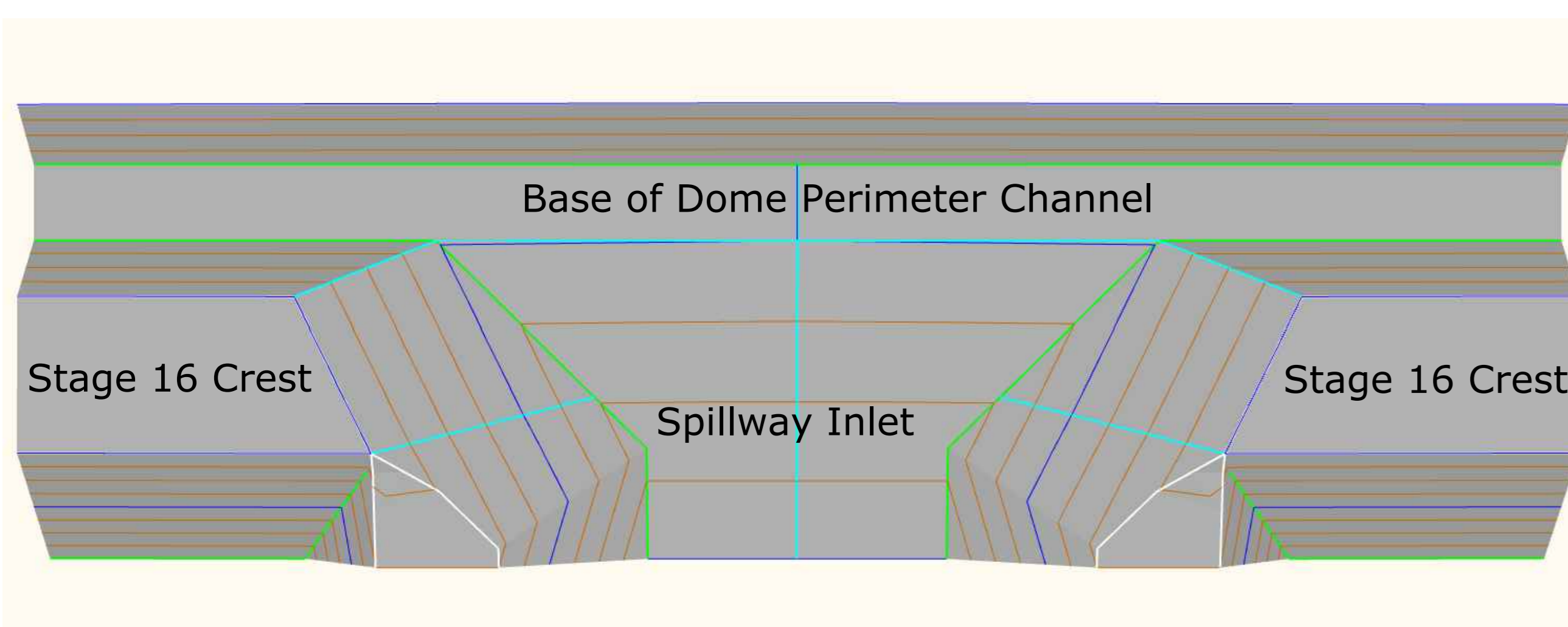
CROSS SECTION F:F' - Spillway Crest SP-1:
(Scale - 1:50 @ A0)



RIPRAP SPILLWAY SP-1 - Typical Slope Profile:
(Scale - 1:50 @ A0)



RIPRAP SPILLWAY SP-1 - Typical Cross Section:
(Scale - 1:50 @ A0)



Spillway Confluence - Liner Formation 3D Model
(NTS @ A0)

Spillway	Dome Perimeter Channel	Channel Length (m)	Downstream Invert (mOD)	Upstream Invert (mOD)
SP-1	CHSP 1-1	261	35.000	35.348
	CHSP 1-2	163	35.000	35.217
SP-6	CHSP 6-1	286	35.000	35.381
	CHSP 6-2	396	35.000	35.528
SP-7	CHSP 7-1	183	35.000	35.245
	CHSP 7-2	447	35.000	35.597

NOTE(S)

- RIPRAP SPILLWAY TYPICAL PROFILE DIMENSIONS SHALL VARY DEPENDING ON LOCATION ALONG SPILLWAY PROFILE
- ANCHOR TRENCHES FOR THE DOME PERIMETER CHANNEL SHALL BE BACKFILLED WITH CONCRETE
- ANCHOR TRENCHES FOR THE SPILLWAY SHALL BE BACKFILLED WITH ARISINGS FROM THE EXCAVATION OF THE SELECT FILL MATERIAL FOR THE BUND
- DOUBLE LAPPING OF CONCRETE CANVAS MAY BE REQUIRED AT INTERFACE OF DOME PERIMETER CHANNEL AND REINFORCED CONCRETE SLAB CROSSING (SEE SECTION E-E' AND F-F')
- THE DESIGNED BASE WIDTH OF DOME PERIMETER CHANNEL CHSP-7-2 IS 2.5m AS OPPOSED TO THE 2.0m INDICATED ON THE TYPICAL CROSS SECTIONS; ALL OTHER DOME PERIMETER CHANNELS HAVE DESIGNED BASE WIDTHS OF 2.0m, AS PER THE TYPICAL CROSS SECTIONS.

CLIENT

AUGHINISH ALUMINA LTD.

CONSULTANT

GOLDER
MEMBER OF WSP

DESIGNED BK
PREPARED POB
REVIEWED BK
APPROVED BK

PROJECT

BRDA RAISE PLANNING APPLICATION DRAWINGS

TITLE

BRDA Details - Closure: 8m width Spillway (SP-1)
Typical for SP-6 and SP-7

PROJECT NO. 20143076
DRAWING NO. 12e
REV. A
SCALE 50 100 A0

