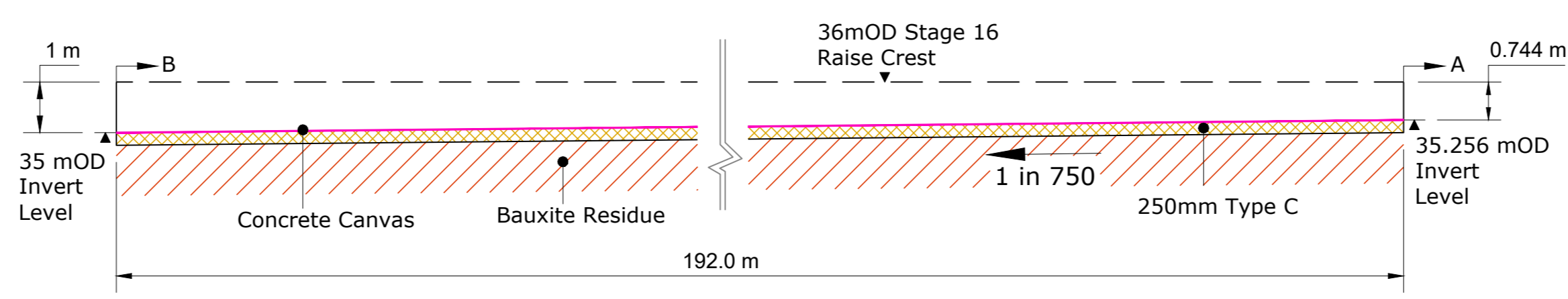
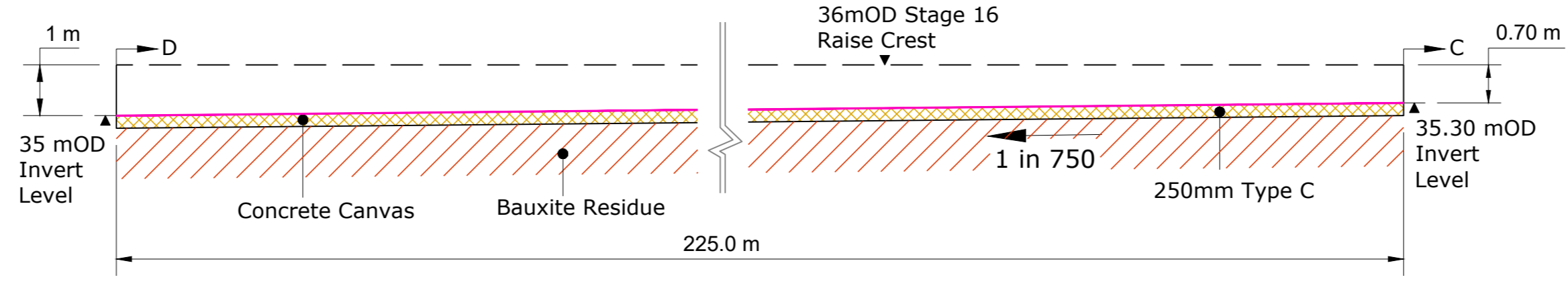


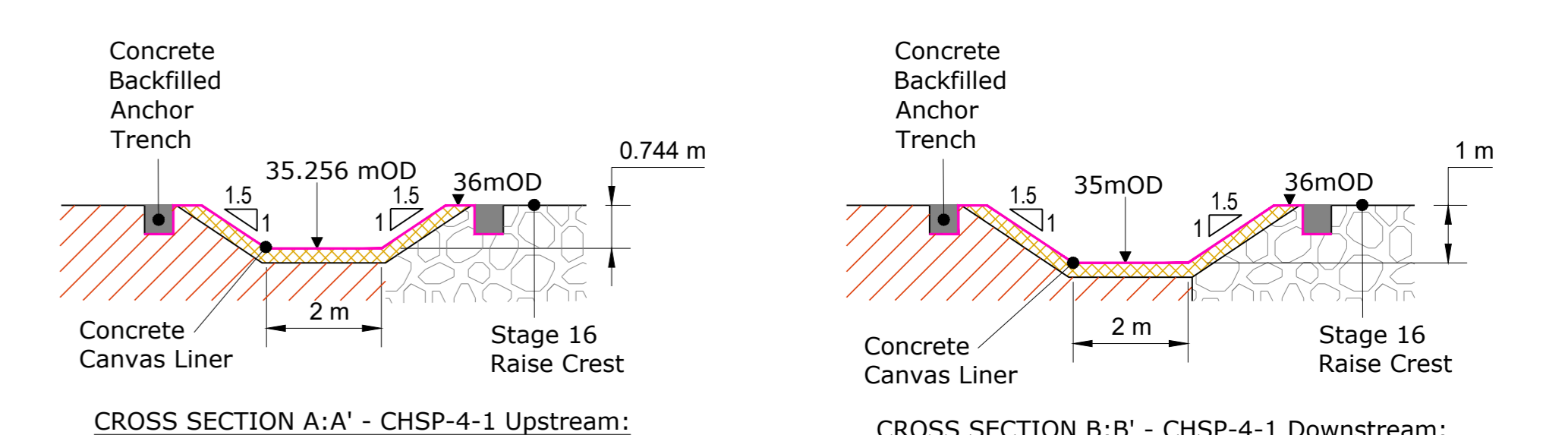
PLAN: CONFLUENCE OF BRDA DOME PERIMETER CHANNELS & RIPRAP SPILLWAY SP-4 (Scale - 1:100 @ A0)



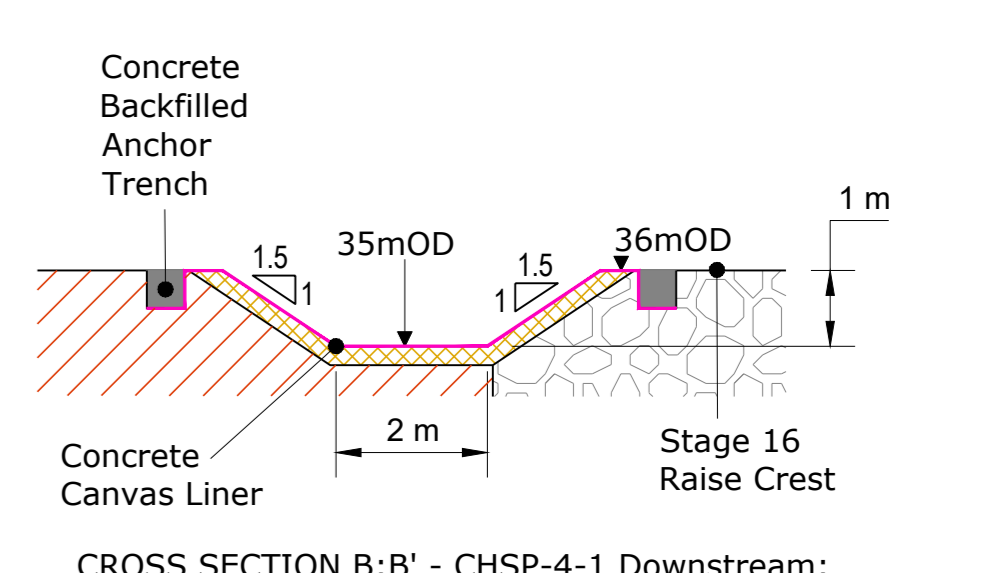
SECTION PROFILE: DOME PERIMETER CHANNEL CHSP-4-1: SEE TABLE FOR OTHER CHANNEL INVERTS AND LENGTHS (Scale - 1:100 @ A0)



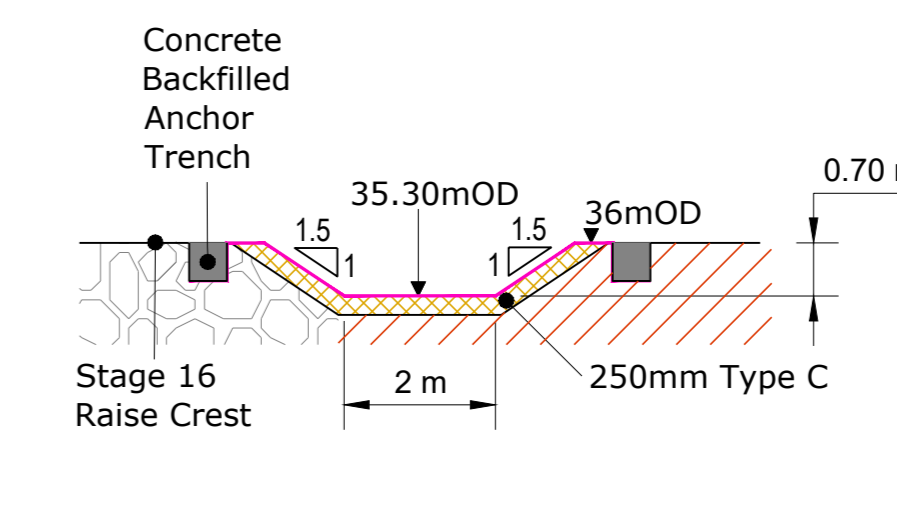
SECTION PROFILE: DOME PERIMETER CHANNEL CHSP-4-2: SEE TABLE FOR OTHER CHANNEL INVERTS AND LENGTHS (Scale - 1:100 @ A0)



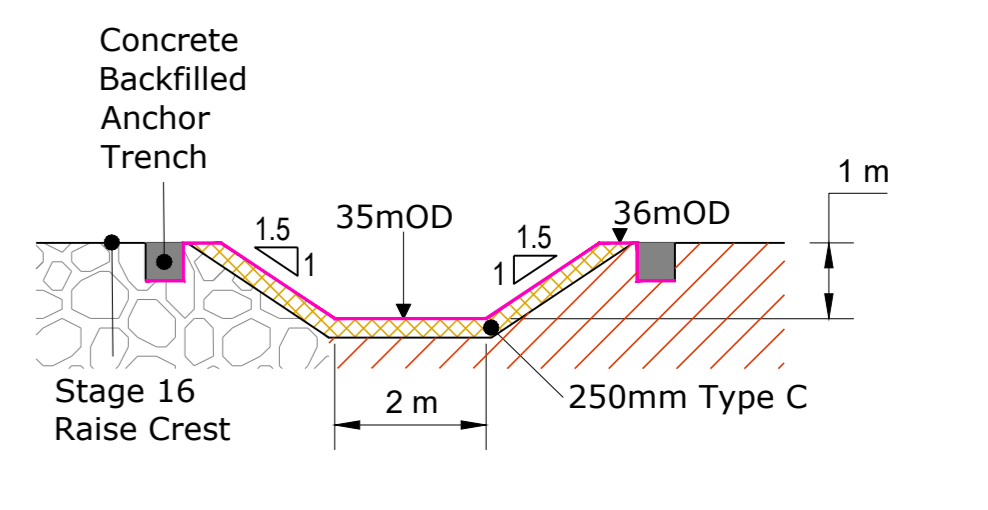
CROSS SECTION A:A' - CHSP-4-1 Upstream: (Scale - 1:100 @ A0)



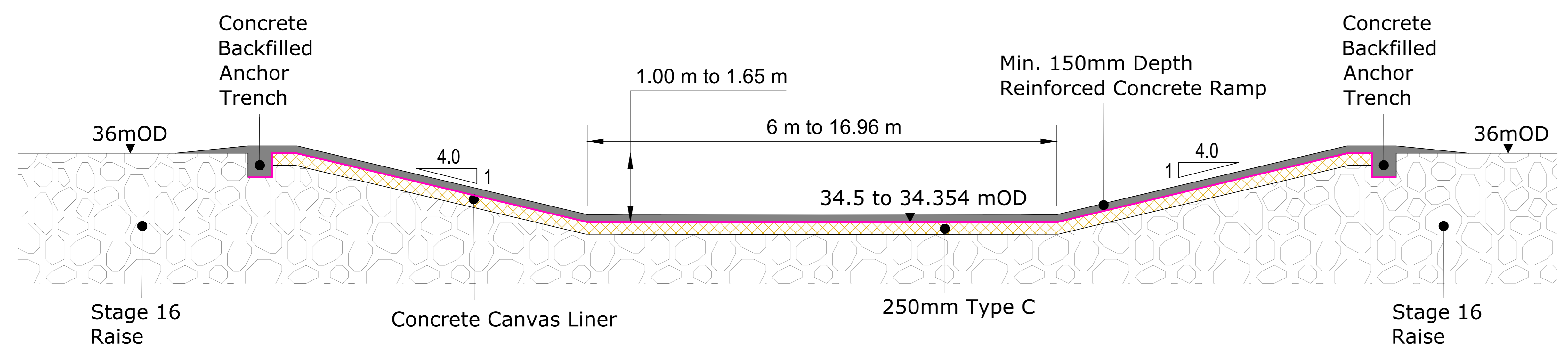
CROSS SECTION B:B' - CHSP-4-1 Downstream: (Scale - 1:100 @ A0)



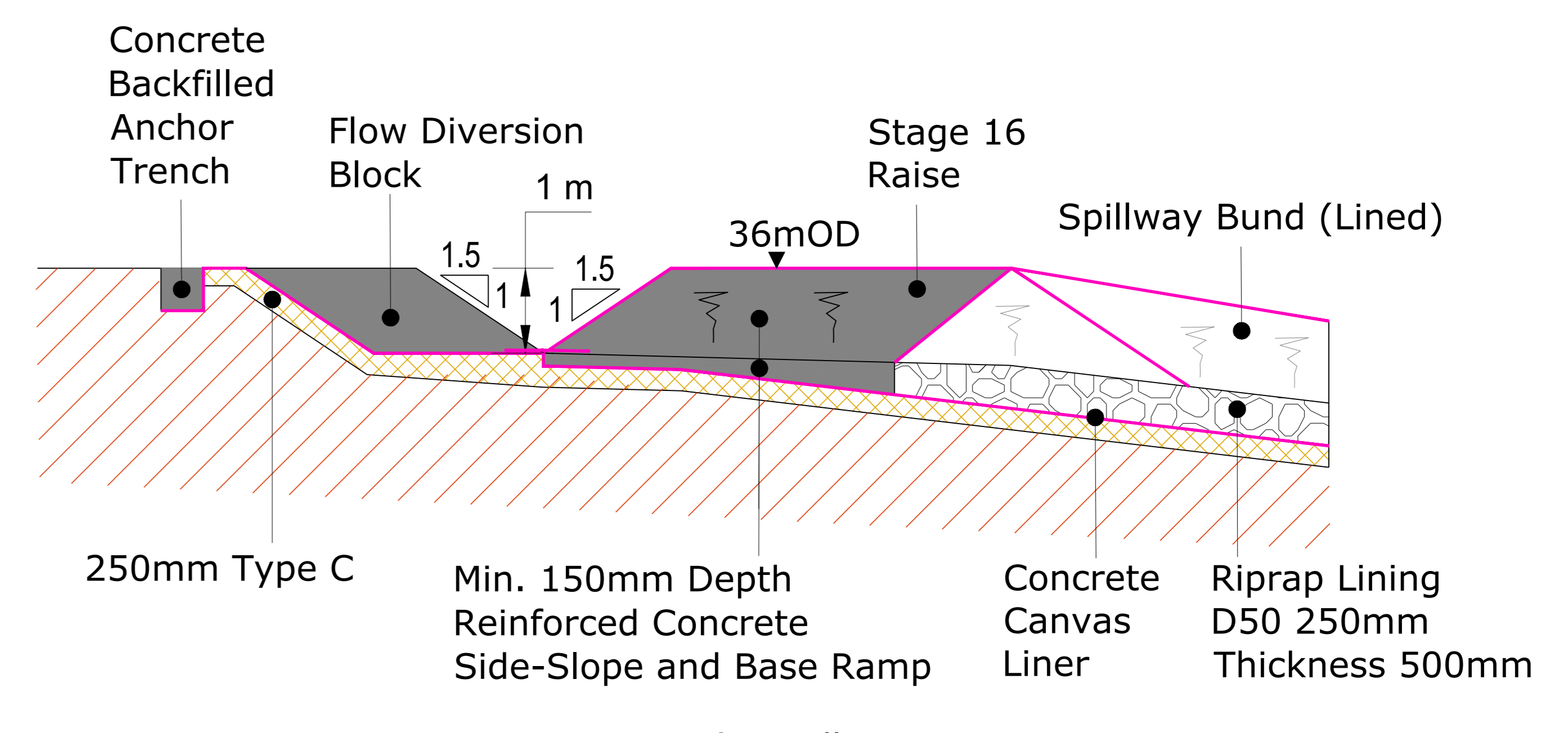
CROSS SECTION C:C' - CHSP-4-2 Upstream: (Scale - 1:100 @ A0)



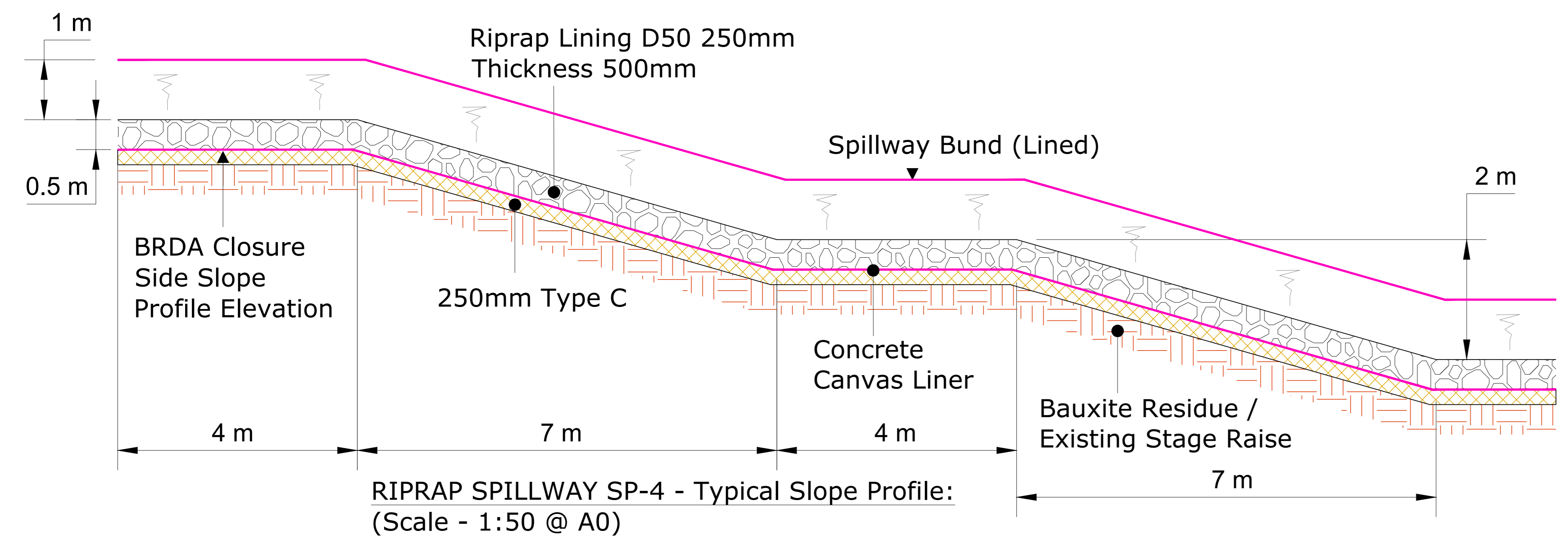
CROSS SECTION D:D' - CHSP-4-2 Downstream: (Scale - 1:100 @ A0)



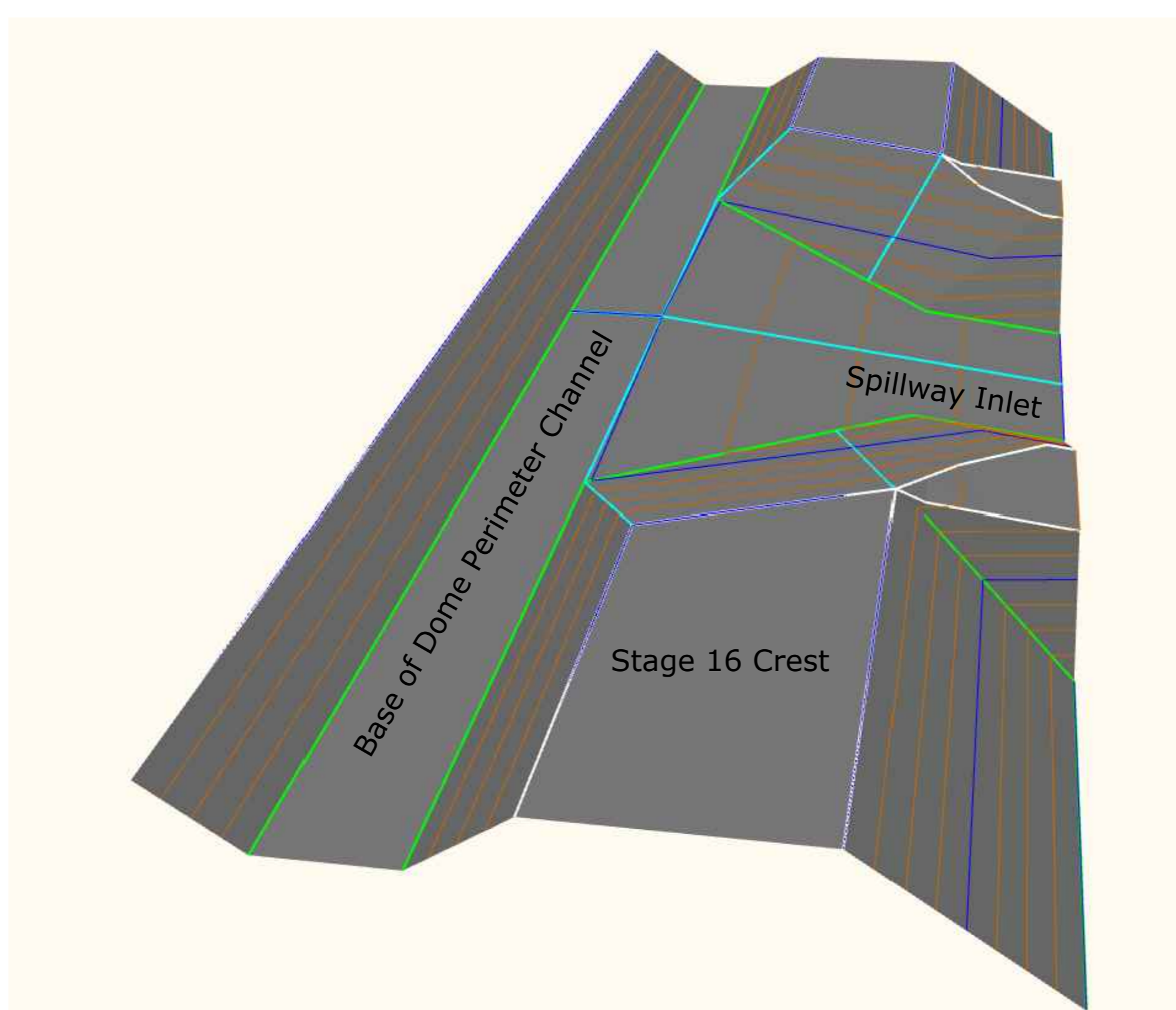
CROSS SECTION E:E' - Spillway Crest SP-4: SEE TABLE FOR OTHER CHANNEL INVERTS AND LENGTHS (Scale - 1:50 @ A0)



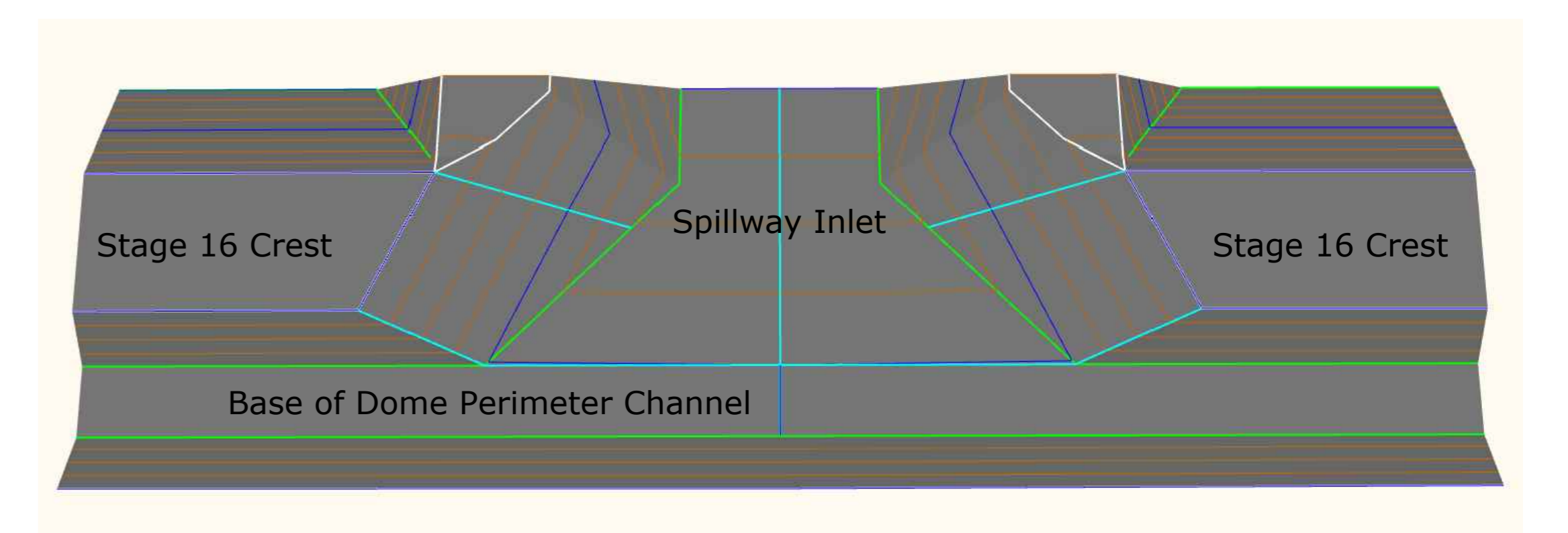
CROSS SECTION F:F' - Spillway Crest SP-4: (Scale - 1:100 @ A1)



RIPRAP SPILLWAY SP-4 - Typical Slope Profile: (Scale - 1:50 @ A0)

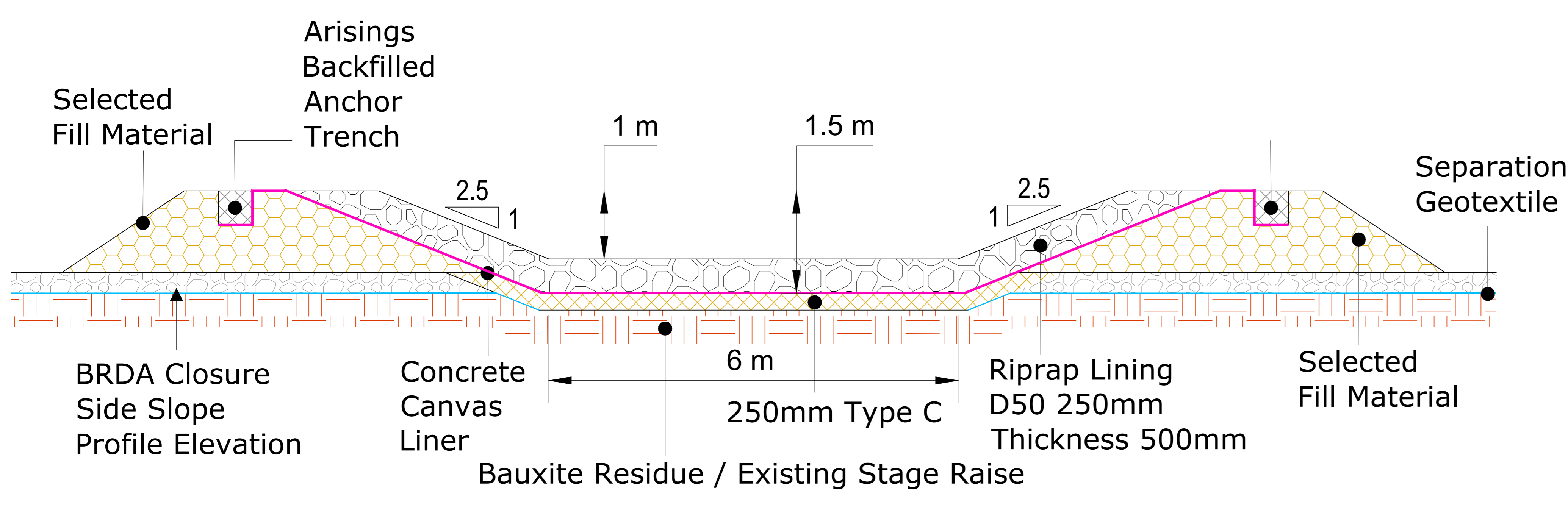


Spillway Confluence - Liner Formation 3D Model (NTS @ A0)



Spillway Confluence - Liner Formation 3D Model (NTS @ A0)

Spillway	Dome Perimeter Channel	Channel Length (m)	Downstream Invert (mOD)	Upstream Invert (mOD)
SP-2	CHSP 2-1	256	35.000	35.342
	CHSP 2-2	307	35.000	35.409
SP-3	CHSP 3-1	280	35.000	35.374
	CHSP 3-2	266	35.000	35.355
SP-4	CHSP 4-1	192	35.000	35.256
SP-5	CHSP 5-1	195	35.000	35.260
	CHSP 5-2	97	35.000	35.130



RIPRAP SPILLWAY SP-4 - Typical Cross Section: (Scale - 1:100 @ A1)

- NOTE(S)
- RIPRAP SPILLWAY TYPICAL PROFILE DIMENSIONS SHALL VARY DEPENDING ON LOCATION ALONG SPILLWAY PROFILE
 - ANCHOR TRENCHES FOR THE DOME PERIMETER CHANNEL SHALL BE BACKFILLED WITH CONCRETE
 - ANCHOR TRENCHES FOR THE SPILLWAY SHALL BE BACKFILLED WITH ARISINGS FROM THE EXCAVATION OF THE SELECT FILL MATERIAL FOR THE BUND
 - DOUBLE LAPPING OF CONCRETE CANVAS MAY BE REQUIRED AT INTERFACE OF DOME PERIMETER CHANNEL AND REINFORCED CONCRETE SLAB CROSSING (SEE SECTION E-E' AND F-F')

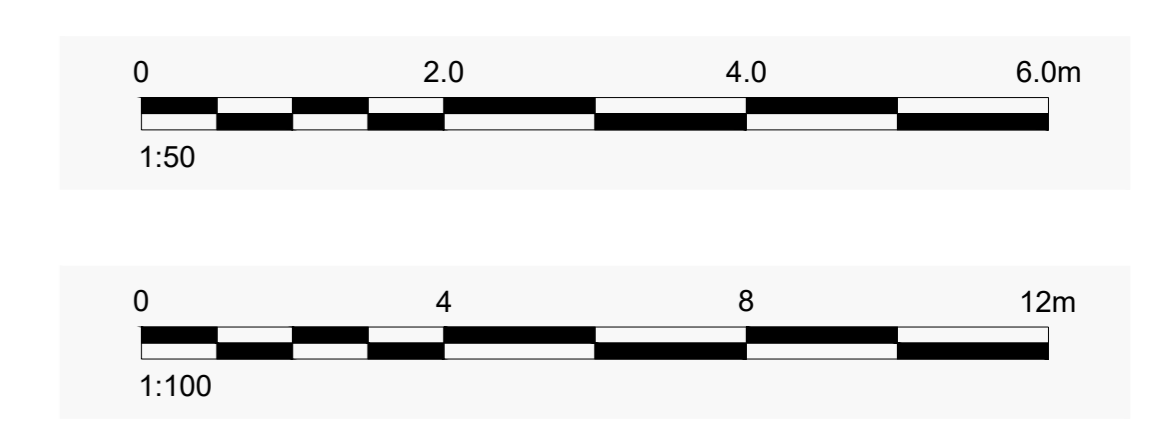
CLIENT
AUGHINISH ALUMINA LTD.

CONSULTANT
GOLDER
MEMBER OF WSP

DESIGNED BK
PREPARED POB
REVIEWED BK
APPROVED BK

PROJECT
BRDA RAISE PLANNING APPLICATION DRAWINGS

TITLE
BRDA Details - Closure: 6m width Spillway (SP-4)
Typical for SP-2, SP-3 and SP-5
PROJECT NO. 20143076
DRAWING NO. 12d
REV. A
SCALE 50 100 A0



IF THIS DIMENSION DOES NOT MATCH WHAT IS SHOWN, THE SHEET SIZE HAS BEEN MODIFIED FROM ISO/A1