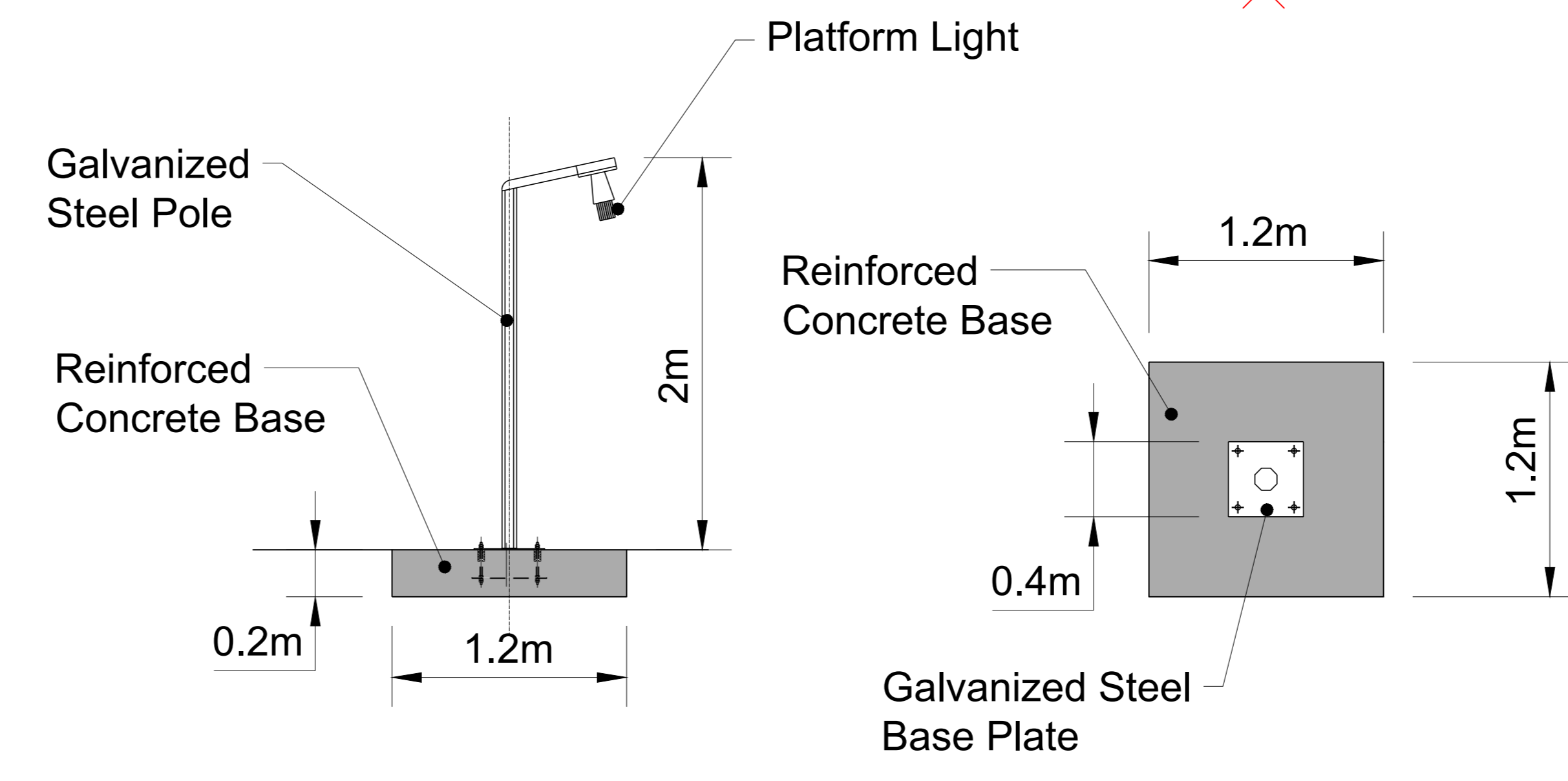
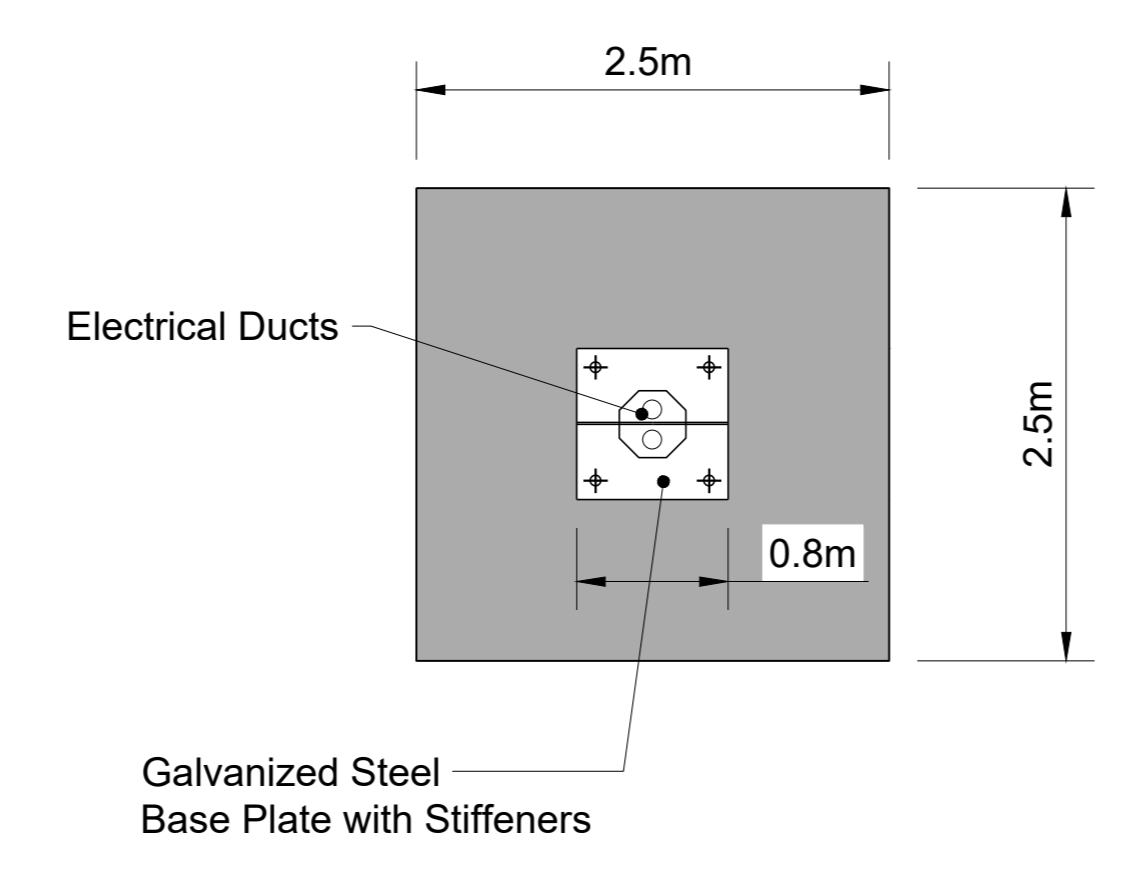


**STREET LIGHT - 6m TALL - SINGLE AND DOUBLE HEAD**  
SCALE 1:40 A0

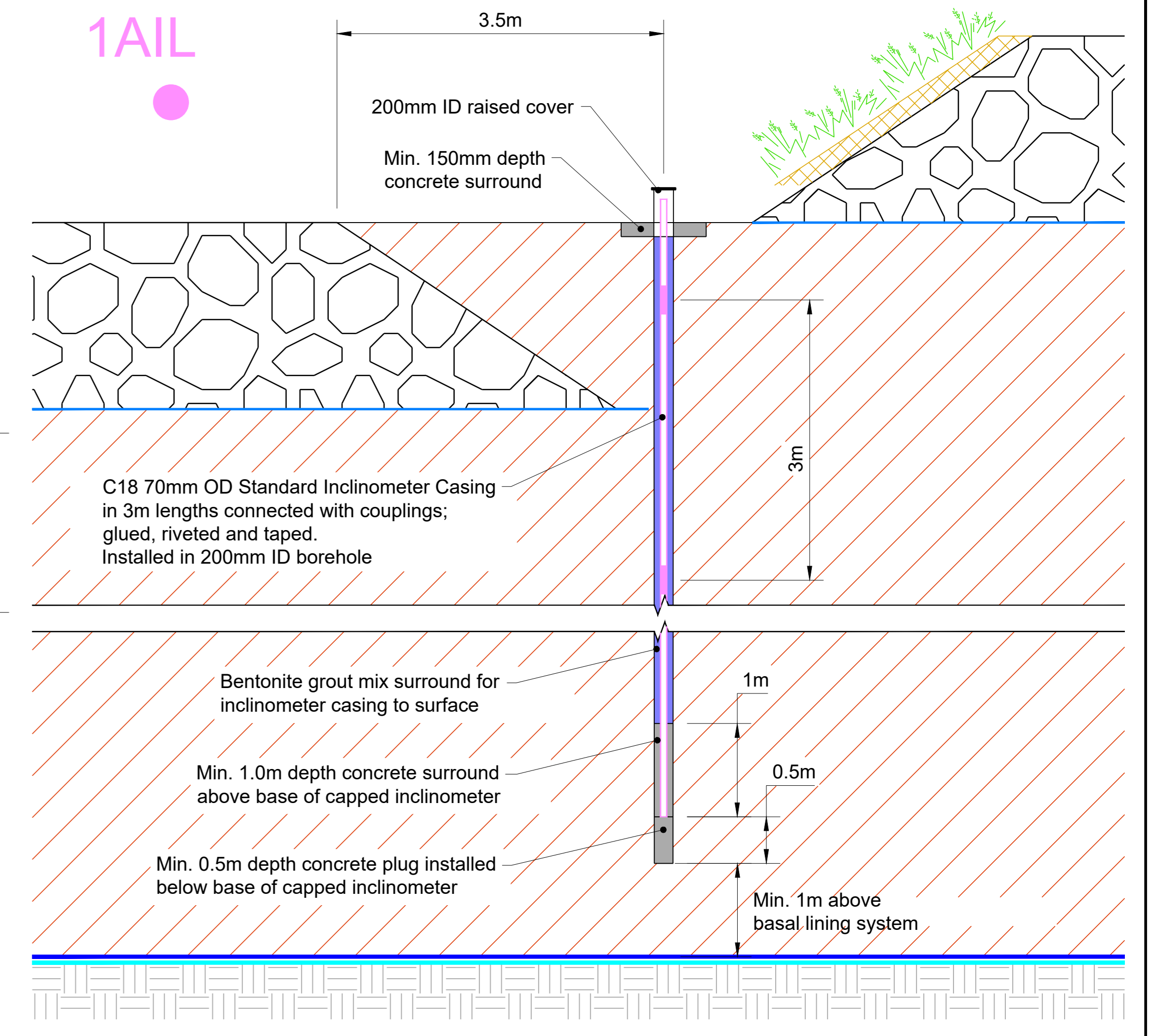
**SL / SL-R**

Note: There is only 1 No. double-head street light in the BRDA (located at the north-west corner of the SWP, and it is not required to be raised).

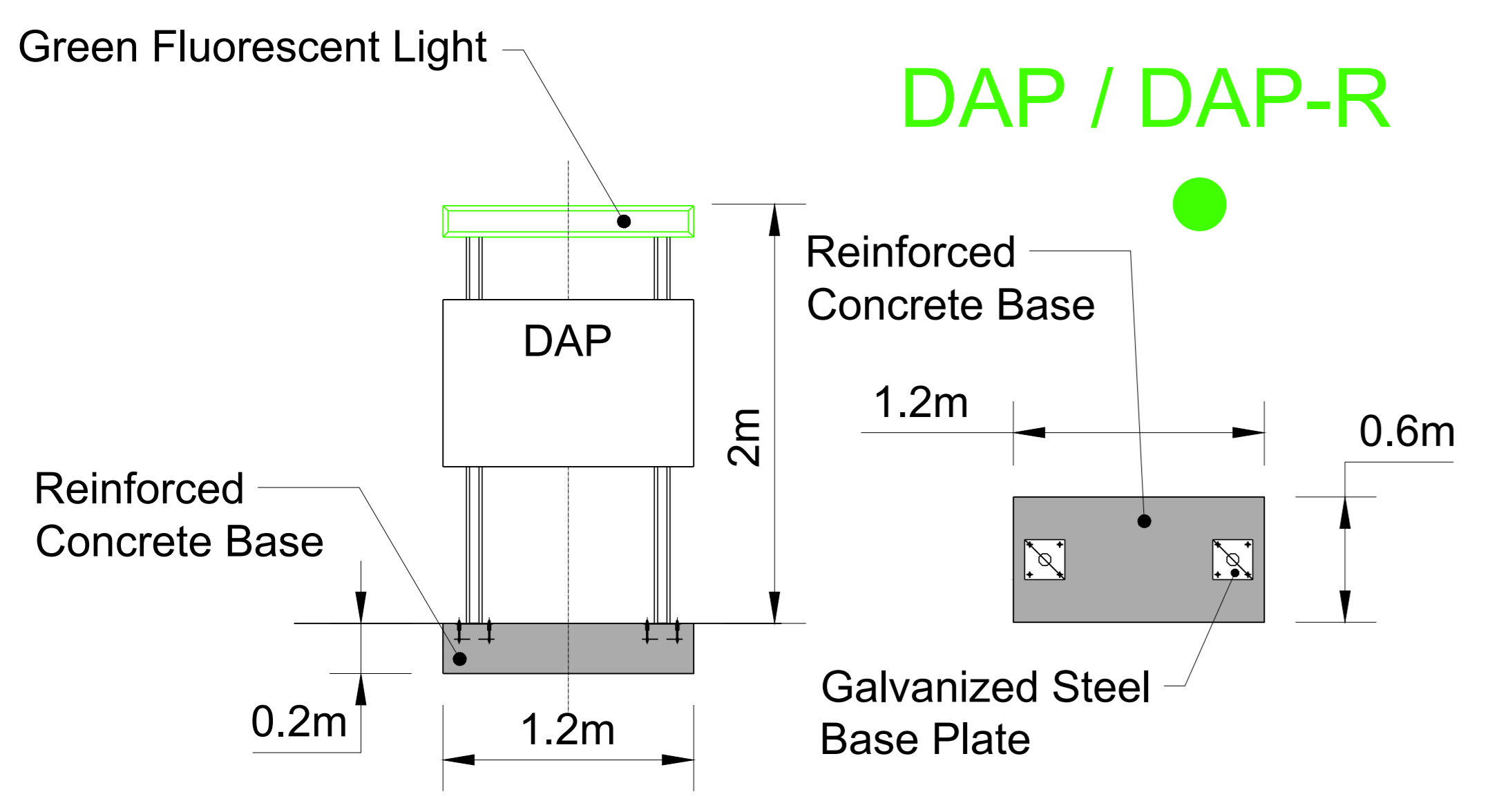


**PLATFORM LIGHT - 2m TALL - SINGLE HEAD**  
SCALE 1:25 A0

**PL / PL-R**

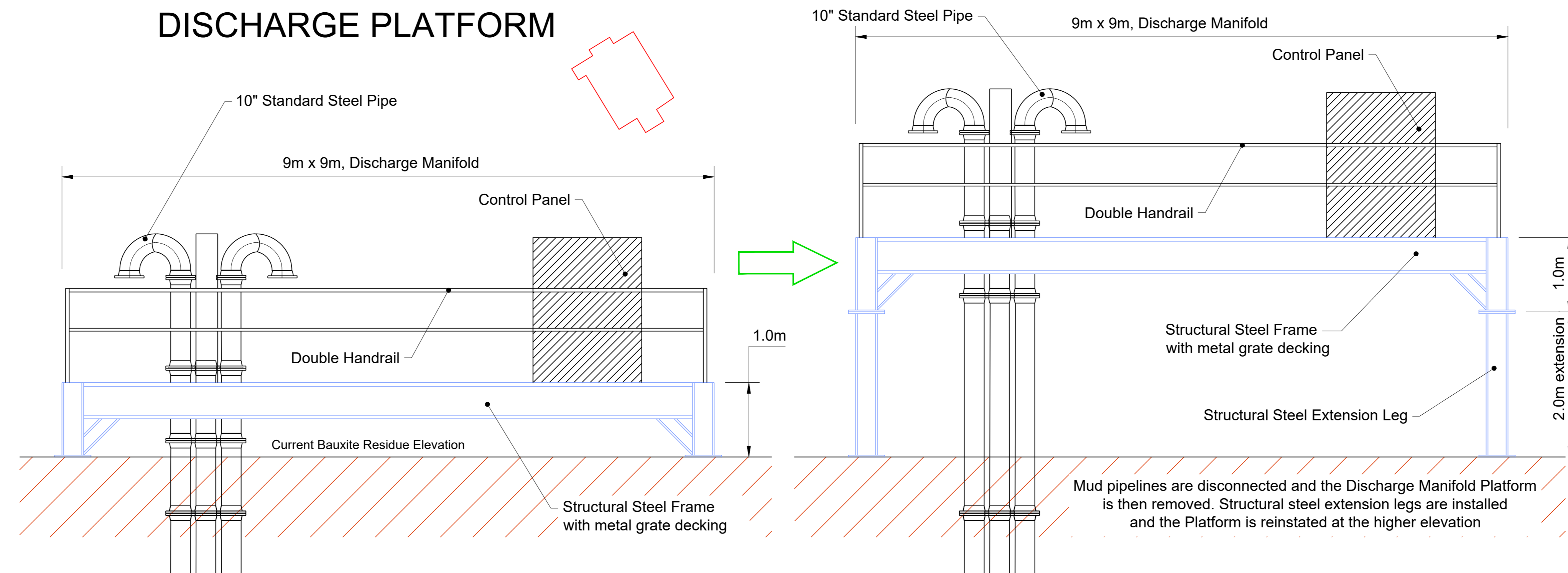


**INCLINOMETER INSTALLATION**  
SCALE 1:40 A0

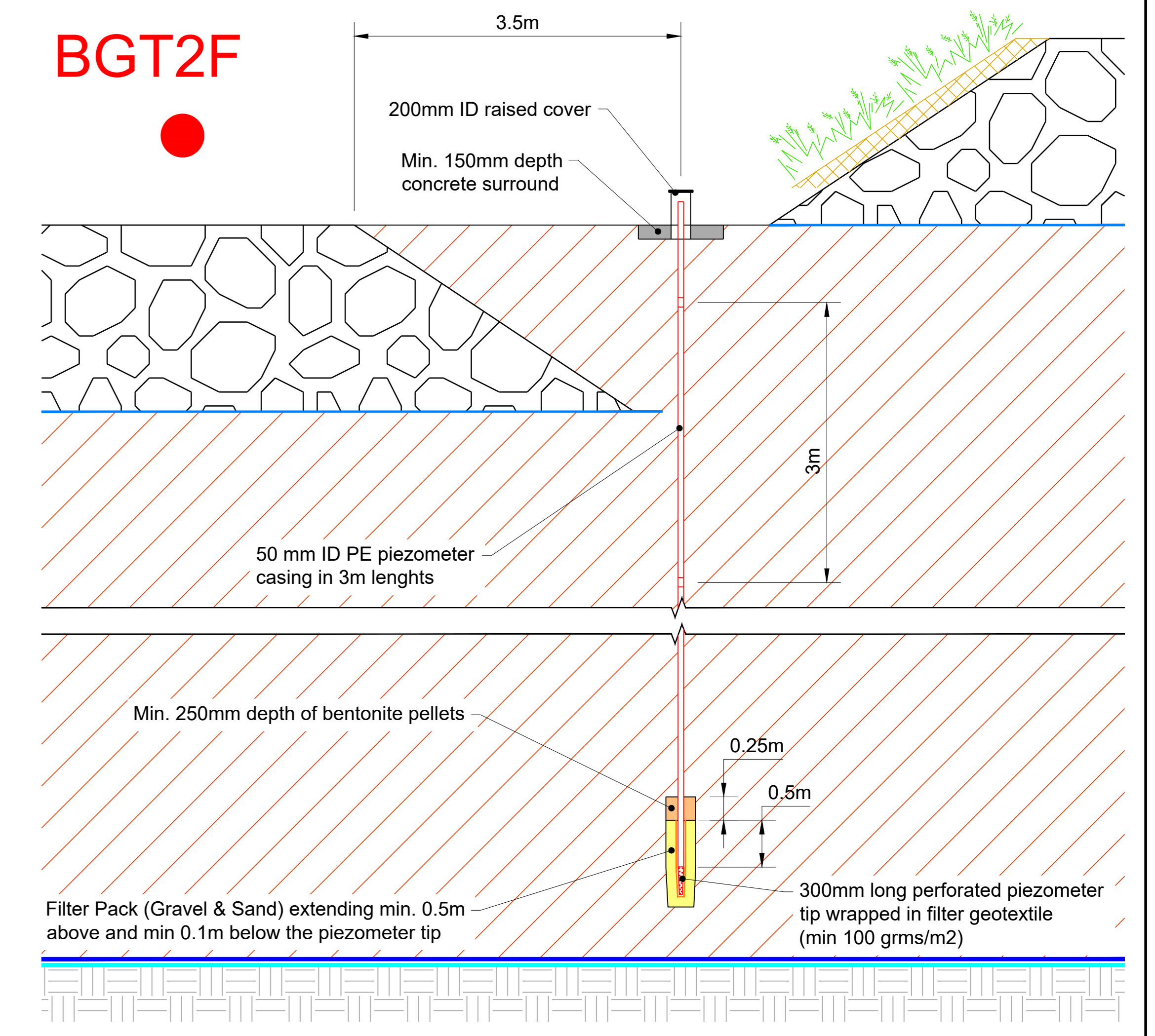


**DAP LIGHT - 2m TALL**  
SCALE 1:25 A0

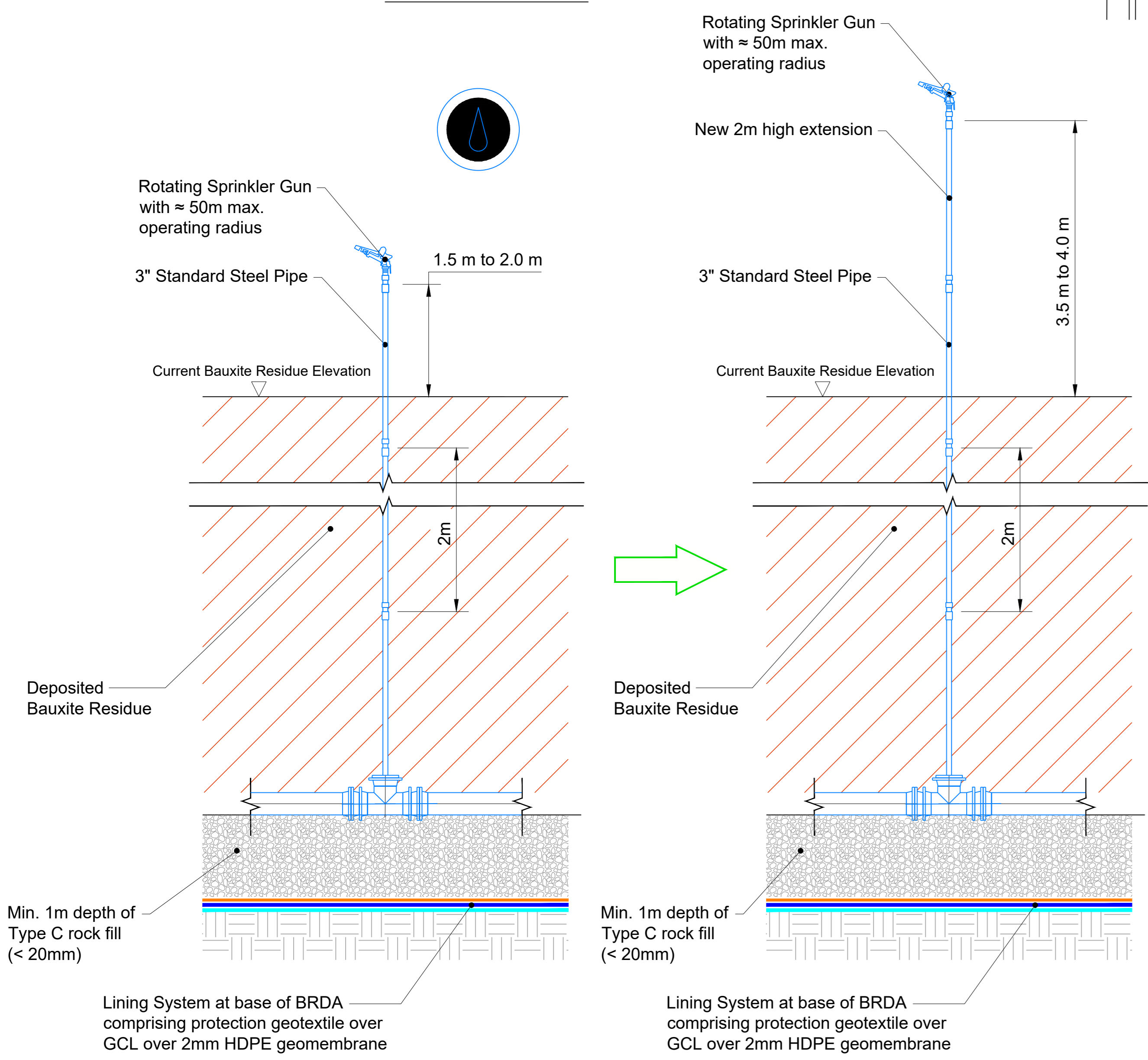
**DAP / DAP-R**



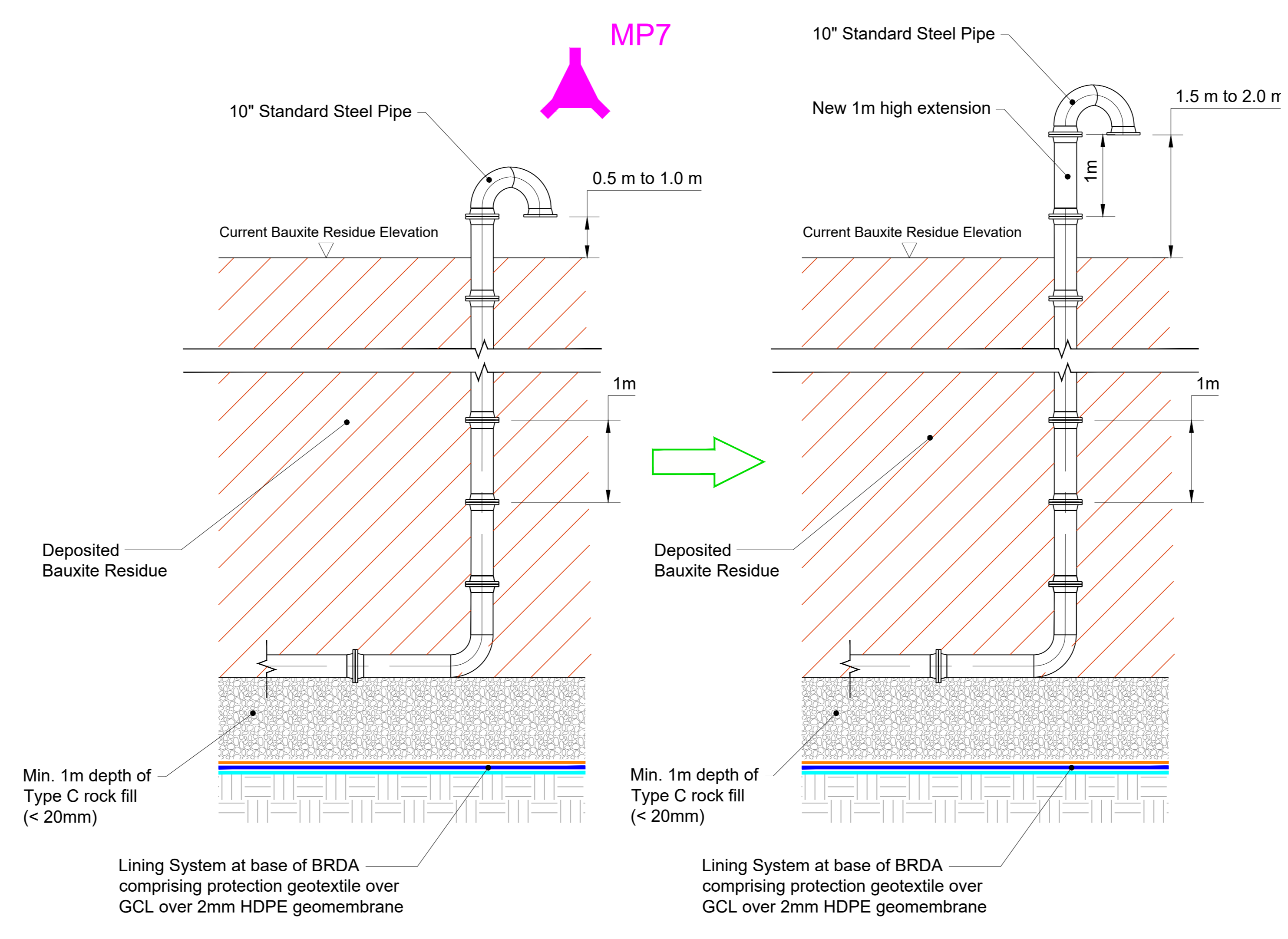
**DISCHARGE PLATFORM - RAISING PROCESS DURING OPERATIONS**  
SCALE 1:40 A0



**STANDPIPE PIEZOMETER INSTALLATION**  
SCALE 1:40 A0



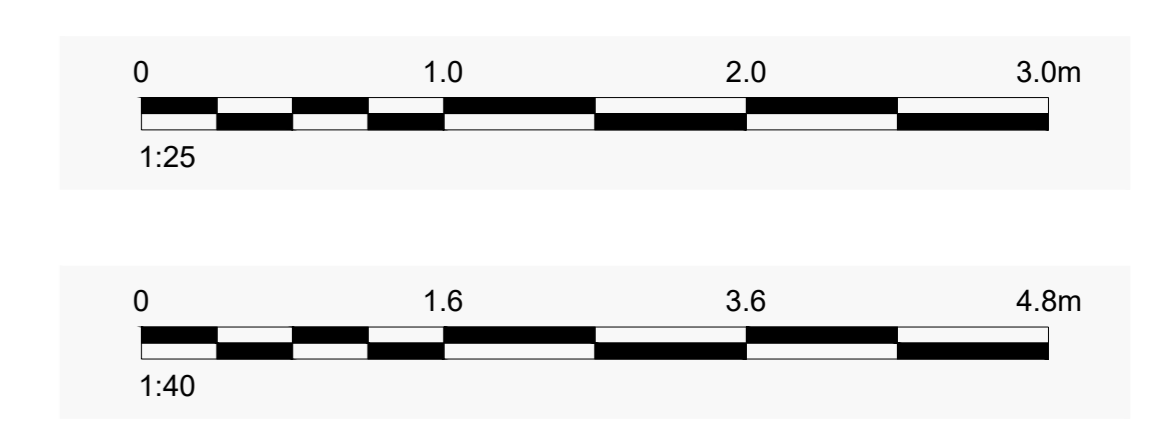
**SPRINKLER - RAISING PROCESS DURING OPERATIONS**  
SCALE 1:40 A0



**MUD POINT - RAISING PROCESS DURING OPERATIONS**  
SCALE 1:40 A0

**MP7**

- LEGEND**
- STANDPIPE PIEZOMETER
  - INCLINOMETER
  - SPRINKLER HEAD
  - MUD POINT
  - 2m HIGH BAUXITE RESIDUE BERM
  - SL / SL-R 6m HIGH STREET LIGHT
  - PL / PL-R 2m HIGH PLATFORM LIGHT
  - DAP / DAP-R 2m HIGH GREEN FLUORESCENT LIGHT



CLIENT	AUGHINISH ALUMINA LTD.	PROJECT	BRDA RAISE PLANNING APPLICATION DRAWINGS
CONSULTANT	GOLDER MEMBER OF WSP	TITLE	BRDA Details - Operational
DESIGNED	BK	PROJECT NO.	20143076
PREPARED	POB	DRAWING NO.	11
REVIEWED	BK	REV.	A
APPROVED	BK	SCALE	25 40 A0